



## Point Light Source Series

Point light source with high brightness, small light-emitting area and other advantages.

### Parameter Description

Peak Wavelength	Red: 620-630nm 645-660nm	Green: 525nm	Blue: 470nm	White: 6500k(color temperature)	Infrared: 850-950nm	UV: 365-395nm
Matching Controller	PMS-DPI2404-4-RS232T					
Use Environment	Temperature:0-40°C; Humidity:20-85%RH(non-condensing)					
Optional	Diffusion plate (part of the standard) Extension cable: 1/3/5m (optional standard length 0.5m)					
Expected Service Life	At an ambient temperature of 25°C, the white light source works reliably at 50% brightness for more than 30,000h (when the attenuation is 50%)					
Product Advantage	All products are delivered one year standard free technical support, and according to customer requirements for the measured object characteristics, working distance, irradiation angle color and field of view Customized.					

### Product Model Specification

Serial Number	Model	Diameter	Color	Voltage	Power	CT /Wavelength
1	PMS-GPI-0801R/W/B	Ø8mm	Red	5V	1W	625nm
		Ø8mm	White	5V	1W	6500K
		Ø8mm	Blue	5V	1W	470nm
2	PMS-GPI-0803R/W/B	Ø8mm	Red	5V	3W	625nm
		Ø8mm	White	5V	3W	6500K
		Ø8mm	Blue	5V	3W	470nm

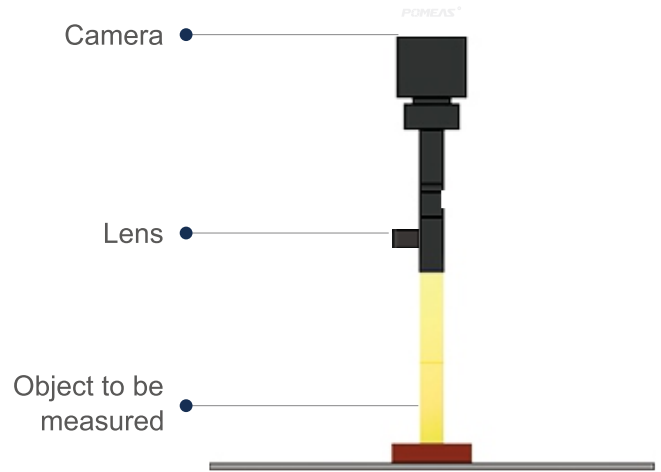
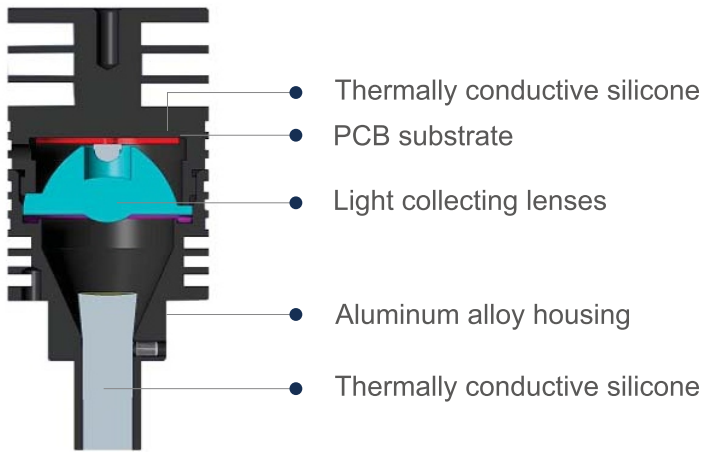
### PRODUCT ADVANTAGES

The point light source has the advantages of high brightness and small light-emitting area, etc. The point light source with a tip diameter of 8mm or 9mm and a light-emitting surface diameter of 6mm, in the machine vision system. It can be used alone or with microscope head or telecentric lens with coaxial function.

### APPLICATION FIELDS

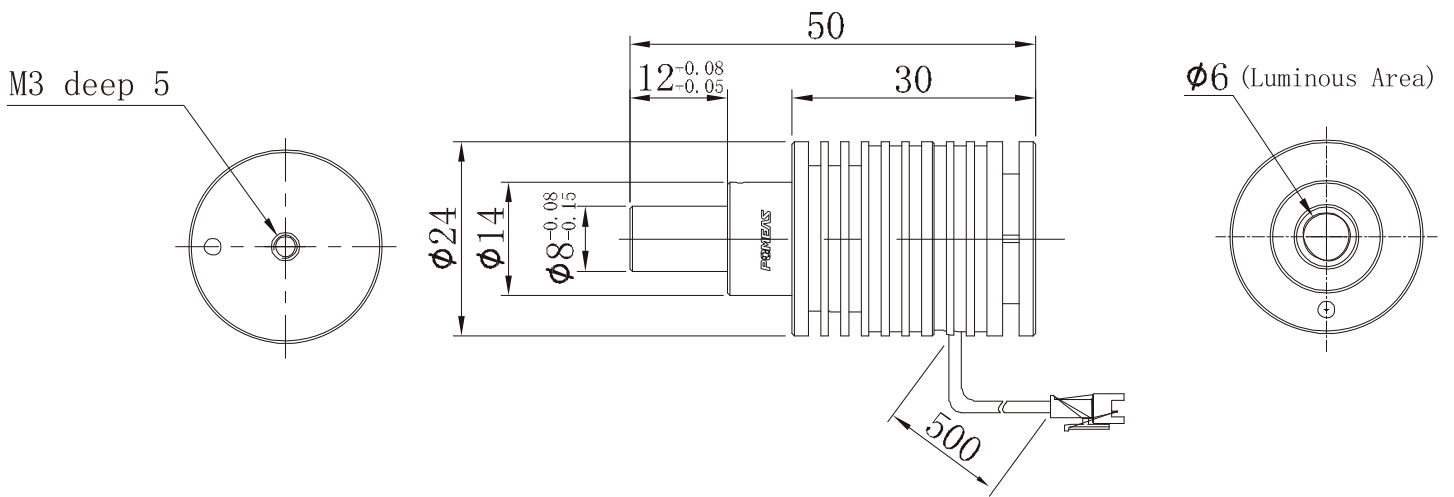
1. Detecting tiny components
2. For vision systems with small installation space
3. Use with microscope head
4. Used with LED solid state machine

# LIGHT SOURCE STRUCTURE



## Product Size Diagram

PMS-GPI-0801R/W/B



PMS-GPI-0803R/W/B

