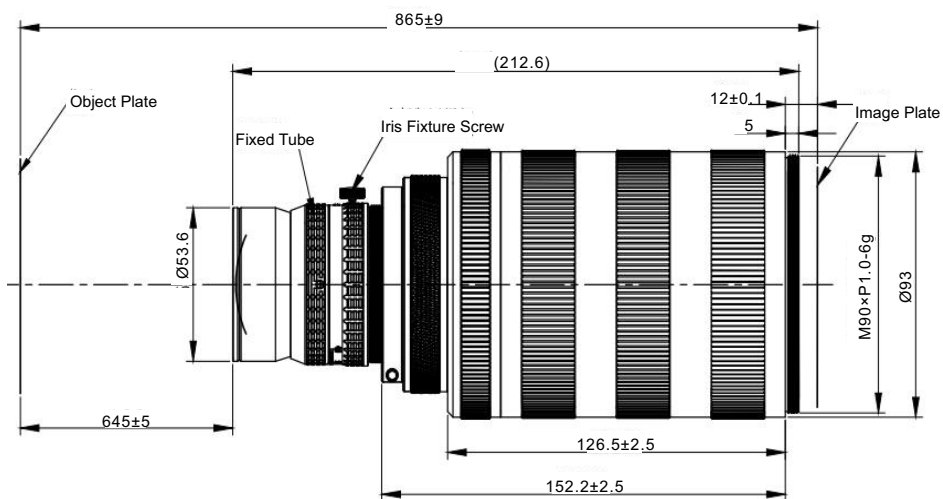


**PMS-LLD026-14640M**

**Description**



※ The max. sensor Ø82mm image, ultra-low distortion, shock-proof design, Standard Mag. range 0.22X ~ 0.3X.

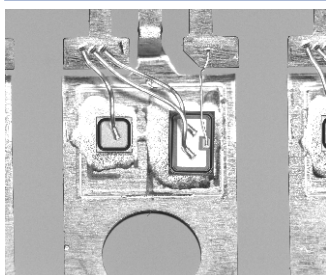
**PMS-LLD026-14640M**

**Parameters**

Code	PMS-LLD026-14640M		
Max. FOV (mm)	Ø82		
Resolution (µm)	5		
Standard Mag. (X)	0.22	0.26	0.3
Aperture	4.0~16		
Focus (mm)	146		
Distortion	<0.002%		
Relative Illumination	90%		
Working Distance (mm)	752	644	571
Conjugate Distance (mm)	968	865	799
Mount	M72-Mount		

**PMS-LLD026-14640M**

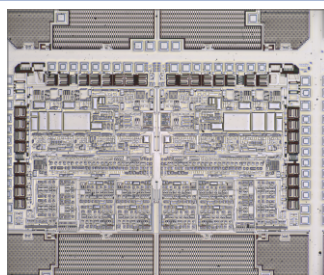
**Product Case**



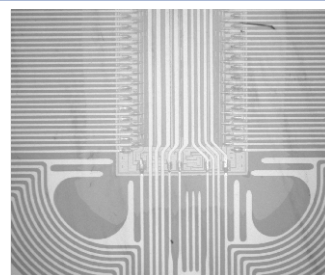
Defect Detection



Surface Pattern And Color Detection



PCB Defect Detection



PCB Detection

