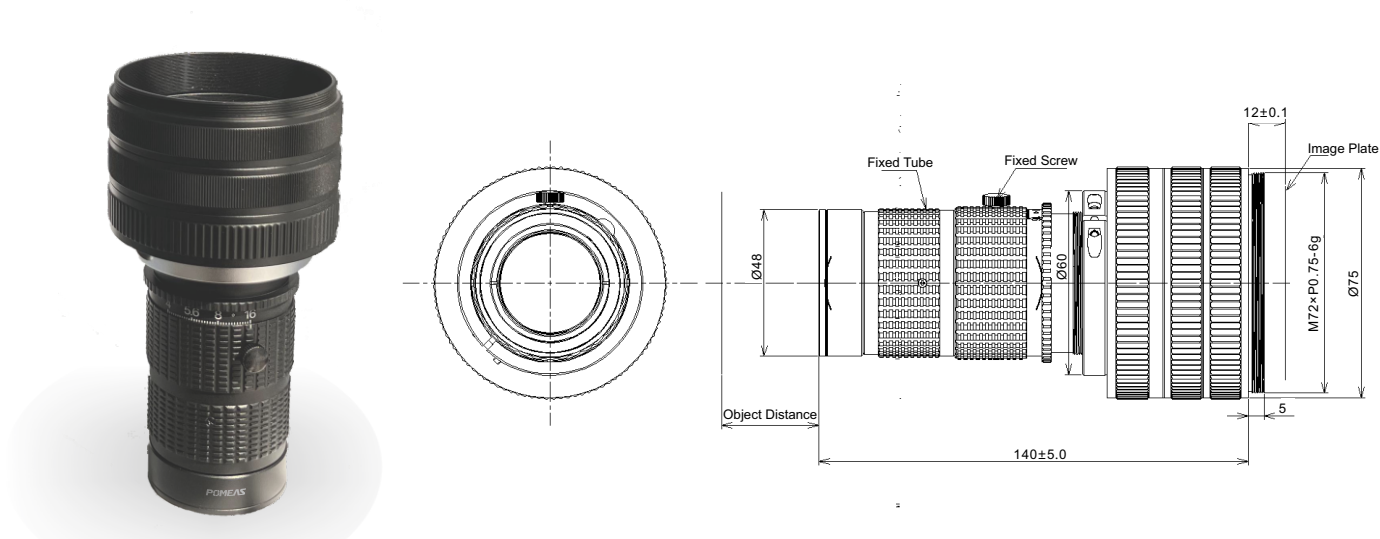


**PMS-LLD025-8040M**

**Description**



※ The max. sensor Φ64mm image, ultra-low distortion, shock-proof design, Standard Mag. range 0.2X ~ 0.35X.

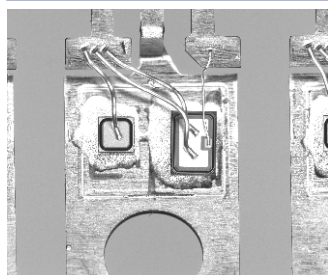
**PMS-LLD025-8040M**

**Parameters**

Code	PMS-LLD025-8040M		
Max. FOV (mm)	Ø64		
Resolution (µm)	5/7		
Standard Mag. (X)	0.2	0.25	0.35
Aperture	4.0~16		
Focus (mm)	80		
Distortion	<0.02%		
Relative Illumination	80%		
Working Distance (mm)	470	385	295
Conjugate Distance (mm)	614	533	451
Mount	M72/F-Mount		

**PMS-LLD025-8040M**

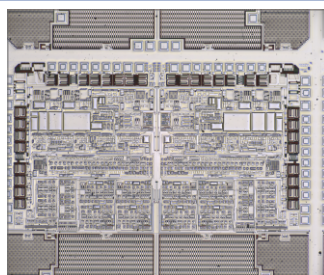
**Product Case**



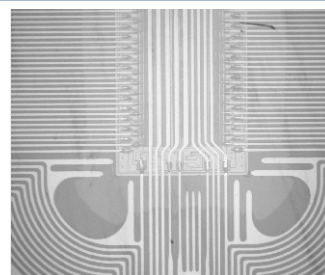
Defect Detection



Surface Pattern And Color Detection



PCB Defect Detection



PCB Detection

