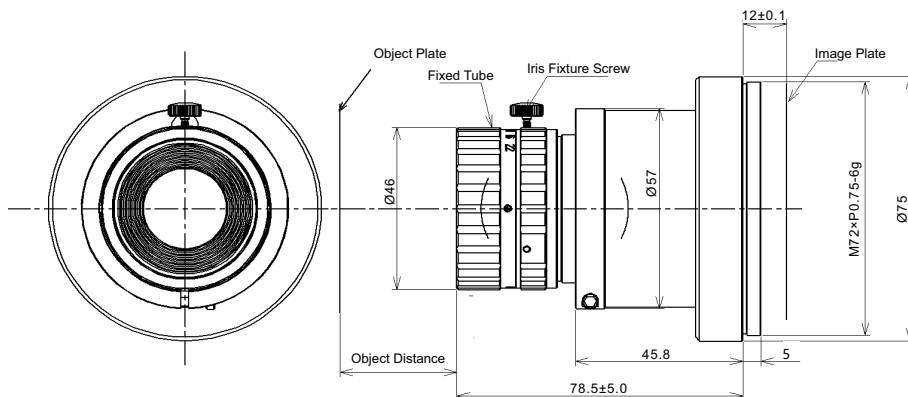


**PMS-LLD010-6040M**

**Description**



※ The max. sensor  $\Phi 64$ mm image, ultra-low distortion, shock-proof design, Standard Mag. range 0.03X ~ 0.18X.

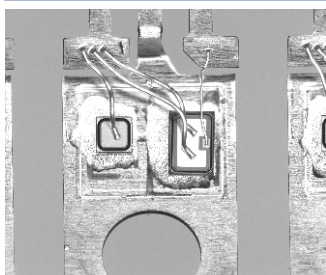
**PMS-LLD010-6040M**

**Parameters**

Code	PMS-LLD010-6040M		
Max. FOV (mm)	$\Phi 64$		
Resolution ( $\mu\text{m}$ )	7		
Standard Mag. (X)	0.03	0.1	0.18
Aperture	4.0~22		
Focus (mm)	60		
Distortion	<0.05%		
Relative Illumination	60%		
Working Distance (mm)	2050	635	370
Conjugate Distance (mm)	2182	723	462
Mount	M42 /M58/M72/F-Mount		

**PMS-LLD010-6040M**

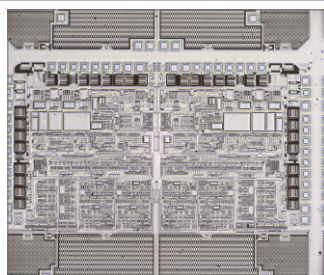
**Product Case**



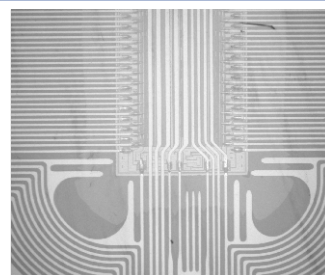
Defect Detection



Surface Pattern And Color Detection



PCB Defect Detection



PCB Detection

