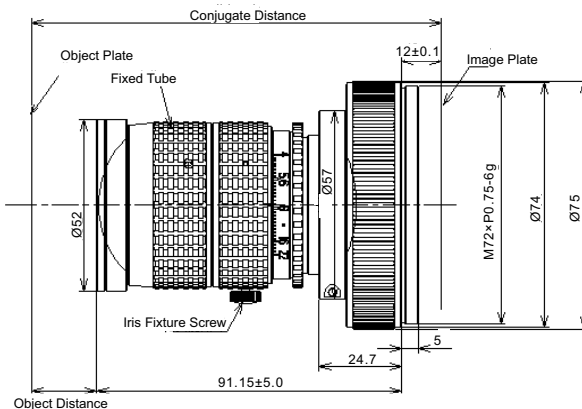
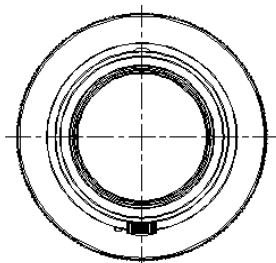


PMS-LLD005-5040M

Description



※ The max. sensor Φ62mm image, ultra-low distortion, shock-proof design, Standard Mag. range 0.025X ~ 0.07X.

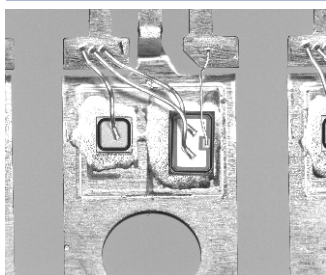
PMS-LLD005-5040M

Parameters

Code	PMS-LLD005-5040M		
Max. FOV (mm)	Ø62		
Resolution (µm)	5/7		
Standard Mag. (X)	0.025	0.05	0.07
Aperture	4.0~22		
Focus (mm)	50		
Distortion	<0.05%		
Relative Illumination	60%		
Working Distance (mm)	2000	1025	735
Conjugate Distance (mm)	2102	1133	839.2
Mount	M42/M58/M72/F-Mount		

PMS-LLD005-5040M

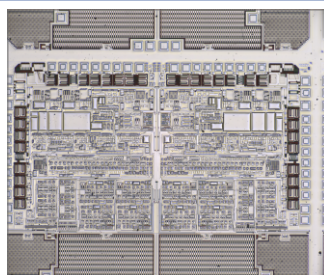
Product Case



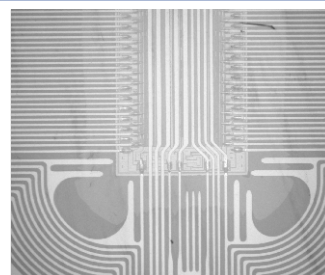
Defect Detection



Surface Pattern And Color Detection



PCB Defect Detection



PCB Detection

