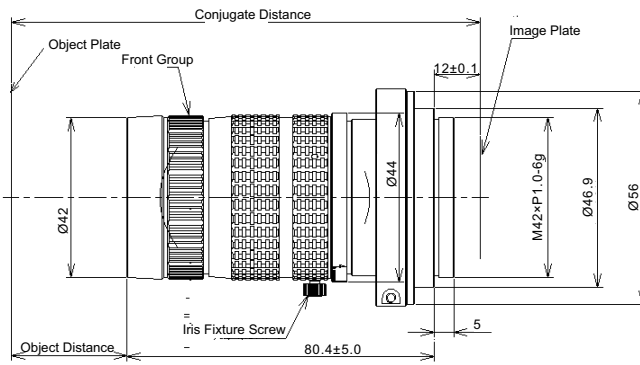
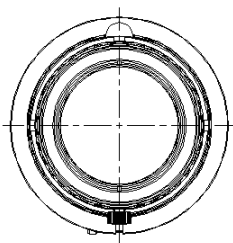


**PMS-LLD015-2540M**

**Description**



※ The max. sensor  $\varnothing 32$ mm image, ultra-low distortion, shock-proof design, Standard Mag. range 0.125X ~ 0.175X.

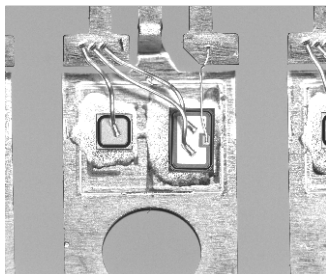
**PMS-LLD015-2540M**

**Parameters**

Code	PMS-LLD015-2540M		
Max. FOV (mm)	$\varnothing 32$		
Resolution ( $\mu m$ )	7		
Standard Mag. (X)	0.125	0.15	0.175
Aperture	4.0~16		
Focus (mm)	25		
Distortion	<0.15%		
Relative Illumination	65%		
Working Distance (mm)	187	158	130
Conjugate Distance (mm)	279.2	246	223.3
Mount	M42/M72/F-Mount		

**PMS-LLD015-2540M**

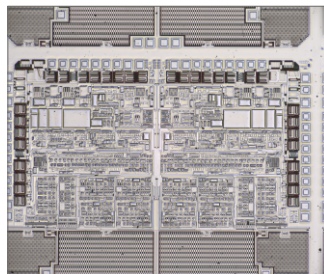
**Product Case**



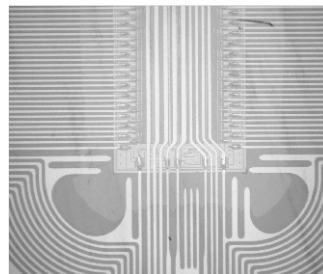
Defect Detection



Surface Pattern And Color Detection



PCB Defect Detection



PCB Detection

