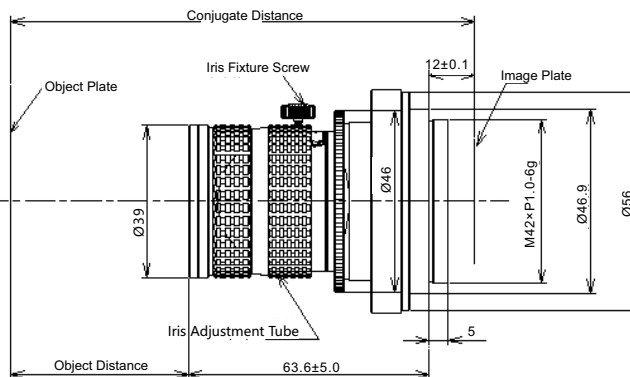
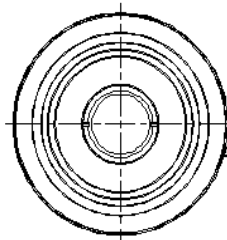


PMS-LLD010-3528M

Description



※ The max. sensor Φ32mm image, ultra-low distortion, shock-proof design, Standard Mag. range 0.05X ~ 0.15X.

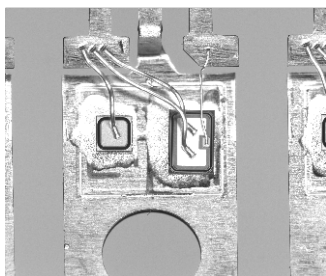
PMS-LLD010-3528M

Parameters

Code	PMS-LLD010-3528M		
Max. FOV (mm)	Ø32		
Resolution (µm)	7		
Standard Mag. (X)	0.05	0.1	0.15
Aperture	2.8~16		
Focus (mm)	35		
Distortion	<0.1%		
Relative Illumination	65%		
Working Distance (mm)	700	350	240
Conjugate Distance (mm)	769	421	312
Mount	M42/M72/F-Mount		

PMS-LLD010-3528M

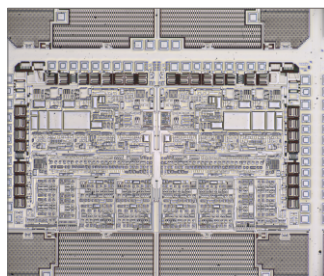
Product Case



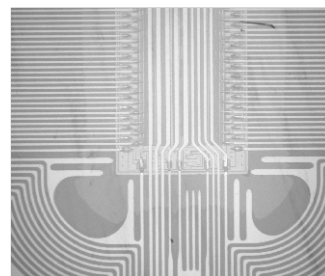
Defect Detection



Surface Pattern And Color Detection



PCB Defect Detection



PCB Detection

