

# 8.0X Zoom Lens Series

## PMS-Z80D



1. Telecentric optical design. Magnification range: 0.6x-5.0x, magnification ratio is 8.0:1
2. Field of view: 2.20-18.33mm(based on 2/3"CCD)
3. Excellent performance, with high resolution, low distortion and super big N.A.
4. Compact design,easy to assembly and installation.

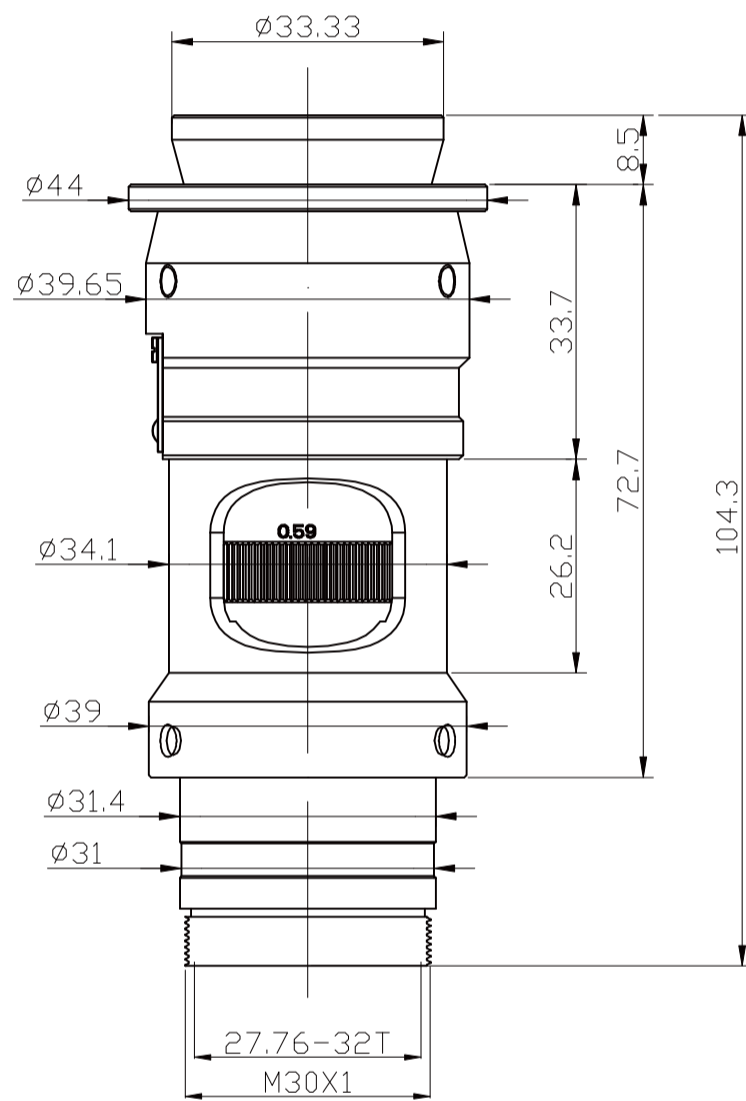
### Function and Feature

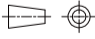




#### ■ Detented Zoom Lens

- High accuracy in zoom and repetitiv positioning
- 6 divided points or 9 divided points for mechanical positioning
- High hardness alloy material, for a long lifespan;Precision mechanical structure

Code		PMS-Z80D									
Type		Detented Zoom Lens									
Optical Magnification Range		0.6X~5.0X									
Working Distance		84 ± 2mm									
Optical Magnification		0.6X	1.0X	1.5X	2.0X	2.5X	3.0X	3.5X	4.0X	4.5X	5.0X
Depth of Field(mm)		2.67	0.95	0.43	0.27	0.2	0.15	0.12	0.1	0.081	0.073
N.A.		0.025	0.043	0.063	0.074	0.082	0.09	0.097	0.1	0.11	0.11
F.No		12.5	11.85	11.95	13.65	15.3	16.5	18.4	19.9	20.4	22.45
Resolution(um)		13	7.8	5.3	4.53	4.09	3.73	3.46	3.36	3.05	3.05
TV Distortion		0.050%	0.002%	0.010%	0.020%	0.003%	0.020%	0.020%	0.018%	0.020%	0.010%
Field of View (mm)	Diagonal	18.33	11.00	7.33	5.50	4.40	3.67	3.14	2.75	2.44	2.20
	Horizontal	14.67	8.80	5.87	4.40	3.52	2.93	2.51	2.20	1.96	1.76
	vertical	11.00	6.60	4.40	3.30	2.64	2.20	1.89	1.65	1.47	1.32
Max. Sensor Size		2/3"									
Mount		C-Mount									
Zoom Control		Manual Zoom									
Focus Control		--									



Unit:mm	Scale	1:1
	Name	PMS-Z80D
0.0      inch      1.0 	Date	2012.2.21
0.0      mm      25.0 	<b>POMEAS</b>	