

Zoom Telecentric Lens Series

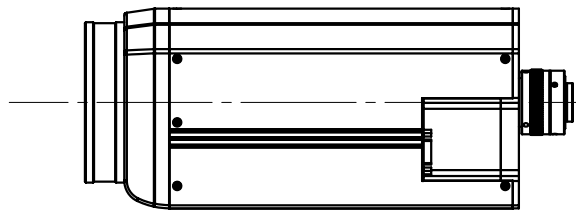
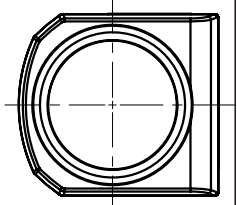
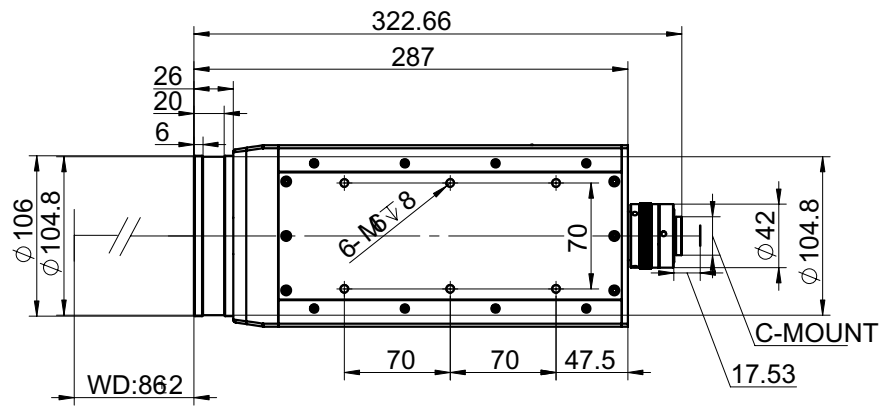
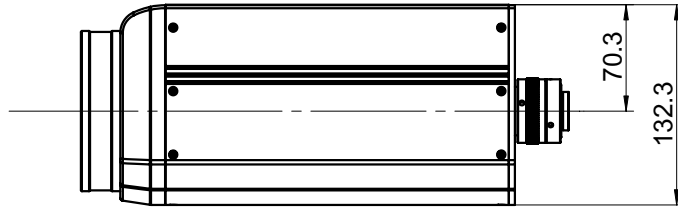
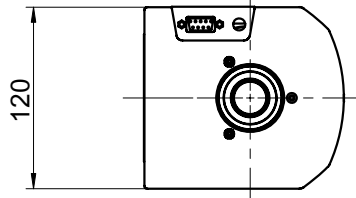
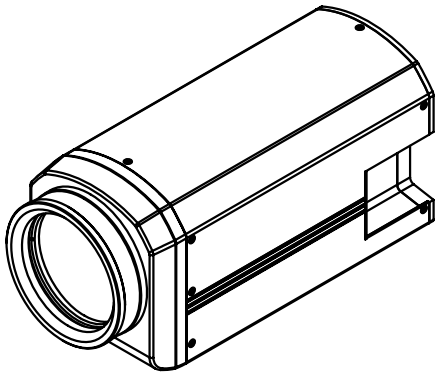
PMS-ZT0215-A

1. Object side telecentric design, no distortion within the DOF;
2. Support 1" big size sensor camera, ensure the objective side resolution with bigger FOV;
3. The conjugate distance and working distance remain the same when the magnification change;
4. Continuous telecentric zoom, any magnification between max magnification and minimum magnification is valid.



Code		PMS-ZT0215-A									
Magnification		0.21X	0.3X	0.4X	0.5X	0.6X	0.7X	0.8X	0.9X	1.0X	1.1X
Object Dimension (mm)	1/3"	22.7×17.0	16.0×12.0	12.0×9.0	9.6×7.2	8.0×6.0	6.9×5.1	6.0×4.5	5.3×4.0	4.8×3.6	4.4×3.3
	1/2"	30.3×22.7	21.4×16.0	16.0×12.0	12.8×9.6	10.7×8.0	9.1×6.9	8.0×6.0	7.1×5.3	6.4×4.8	5.8×4.4
	1/1.8"	33.8×25.4	23.9×17.9	17.9×13.4	14.3×10.7	11.9×8.9	10.2×7.7	8.9×6.7	7.9×6.0	7.1×5.4	6.5×4.9
	2/3"	41.7×31.3	29.4×22.0	22.0×16.5	17.6×13.2	14.7×11.0	12.6×9.4	11.0×8.3	9.8×7.3	8.8×6.6	8.0×6.0
	1"	60.6×45.5	42.7×32.1	32.0×24.0	25.6×19.2	21.3×16.0	18.3×13.7	16.0×12.0	14.2×10.7	12.8×9.6	11.6×8.7
Resolution (μm)		26.91	18.35	12.89	10.64	8.86	7.29	6.25	5.56	5.21	4.89
F.No.		7.81	7.71	7.35	7.40	7.64	7.96	8.35	8.82	9.34	9.92
TV Distortion		-0.04%	0.05%	0.07%	0.06%	0.05%	0.03%	0.02%	0.01%	0.00%	-0.01%
Object Size Telecentricity(°)		0.02	0.02	0.01	0.01	0.01	0.01	0.02	0.07	0.12	0.18
DOF(mm)		6.99	3.43	1.84	1.18	0.85	0.65	0.52	0.44	0.37	0.32
N.A.		0.014	0.019	0.027	0.034	0.039	0.044	0.048	0.051	0.054	0.056
Working Distance(mm)		86									
Max. Sensor Size		1"									
Mount		C-Mount									
Illumination		--									
Working Temperature		-10℃~+50℃									

Magnification		1.2X	1.3X	1.4X	1.5X
Object Dimension (mm)	1/3"	4.0×3.0	3.7×2.8	3.4×2.6	3.2×2.4
	1/2"	5.3×4.0	4.9×3.7	4.6×3.4	4.3×3.2
	1/1.8"	6.0×4.5	5.5×4.1	5.1×3.8	4.8×3.6
	2/3"	7.3×5.5	6.8×5.1	6.3×4.7	5.9×4.4
	1"	10.7×8.0	9.8×7.4	9.1×6.9	8.5×6.4
Resolution (μm)		4.85	4.63	4.64	4.57
F.No.		10.42	10.86	11.33	11.83
TV Distortion		-0.01%	-0.02%	-0.03%	-0.03%
Object Size Telecentricity(°)		0.23	0.27	0.31	0.34
DOF(mm)		0.29	0.26	0.23	0.21
N.A.		0.058	0.060	0.062	0.064
Working Distance(mm)		86			
Max. Sensor Size		1"			
Mount		C-Mount			
Illumination		--			
Working Temperature		-10℃~+50℃			



Unit:mm	Scale	1:5
	Name	PMS-ZT0215-A
0.0 inch 1.0	Date	2014.05.19
0.0 mm 25.0	POMEAS	