

Pomeas TC Standard Telecentric Lens Series

PMS-2ST40-C

1. Support 1MP camera or below
2. Low distortion, high telecentricity and deep depth of field, more suitable for high precision positioning and measuring
3. Telecentric design
4. Support 1/2" sensor
5. Standard C-Mount



Max.Sensor Size
1/2"

Magnification
2.0X

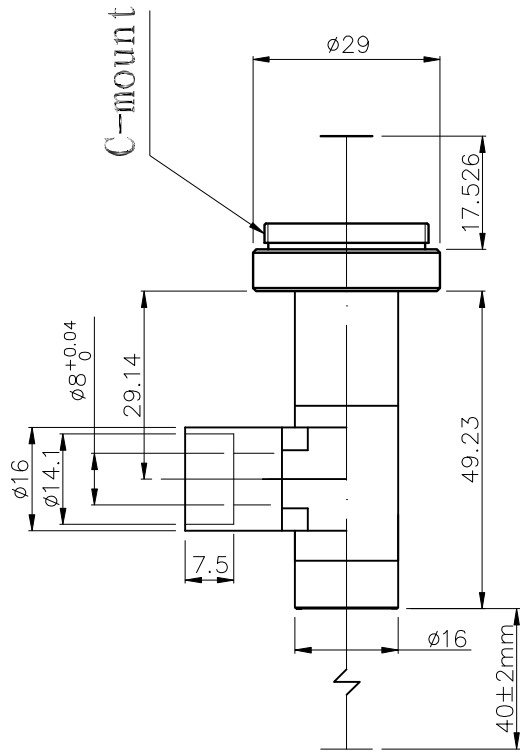
Working Distance
40.4mm

Resolution
3μm

C-Mount

Code		PMS-2ST40-C
Magnification		2.0X
Field of View	1/4"	1.6mm×1.2mm
	1/3"	2.4mm×1.8mm
	1/2.5"	2.9mm×2.2mm
	1/2.3"	3.1mm×2.3mm
	1/2"	3.2mm×2.4mm
Working Distance		40.4mm
Resolution		3μm
F.No.		10
TV Distortion		0.04%
Depth of Field*1		0.2mm
N.A.		0.1
Max.Sensor Size		1/2"
Mount		C-Mount
Illumination		Coaxial Illumination
Working Temperature		-10°C~+50°C

*1: Theoretical calculating value(based on diameter of defocused spots is 0.04mm),in the reality application, take its 1/2 will gain the best effect.



Unit:mm	Scale	1:1
	Name	PMS-2ST40-C
	Date	2012.7.20
POMEAS		