

Pomeas High Resolution Bi-telecentric Lens Series

PMS-2HT-65-C

1. Support 3 MP camera
2. Bi-telecentric Lens
3. Super low distortion ; Object side telecentricity is less than 0.016° ;
Image side telecentricity is less than 0.069° ;
4. Even illumination, no image vignetting
5. Suitable in machine vision application of high accurate measurement



Max.Sensor Size
1/2"

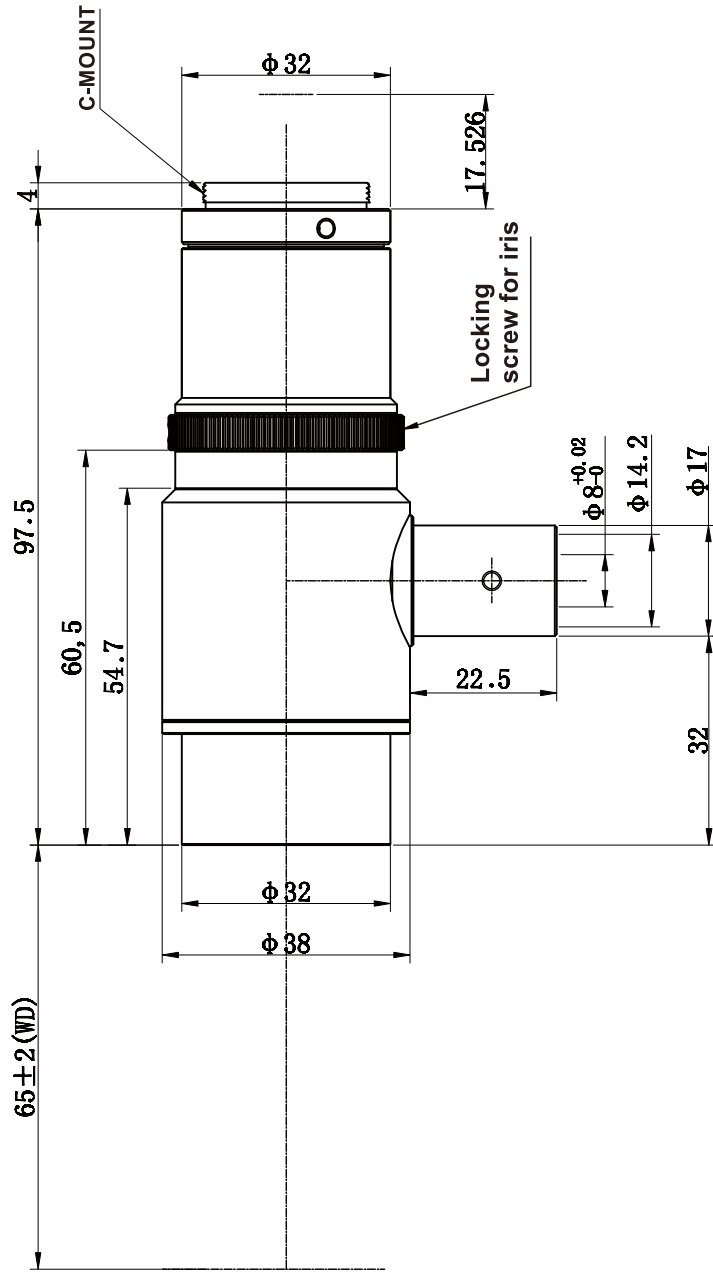
Magnification
2.0X


Working Distance
65mm

Iris is Adjustable

C-Mount

Code		PMS-2HT-65-C
Magnification		2.0X
Field of View	1/4"	1.6mm×1.2mm
	1/3"	2.4mm×1.8mm
	1/2.5"	2.9mm×2.2mm
	1/2.3"	3.1mm×2.3mm
	1/2"	3.2mm×2.4mm
Working Distance		65mm
Resolution(MAX)		2.2μm (MAX)
F.No.(MAX)		F6.6 (MAX)
TV Distortion		0.05%
Depth of Field(MAX)		0.13mm (MAX)
N.A.(MAX)		0.152 (MAX)
Central MTF @ 100lp/mm		>50%
Object Side Telecentricity		<0.016°
Image Side Telecentricity		<0.069°
Max.Sensor Size		1/2"
Mount		C-Mount
Illumination		Coaxial Illumination
Working Temperature		-10°C ~ +50°C



Unit:mm	Scale	1:1
	Name	PMS-2HT-65-C
inch	Date	2012.9.13
1.0	POMEAS	
mm		
0.0		
25.0		