

## Pomeas TC Standard Telecentric Lens Series

### PMS-1ST85

1. Support 0.8 MP CCD camera or below
2. Low distortion, high telecentricity and deep depth of field, more suitable for high precision positioning and measuring
3. Telecentric design
4. Support 2/3" CCD
5. Standard C-Mount



Max.Sensor Size  
2/3"

Magnification  
1.0X

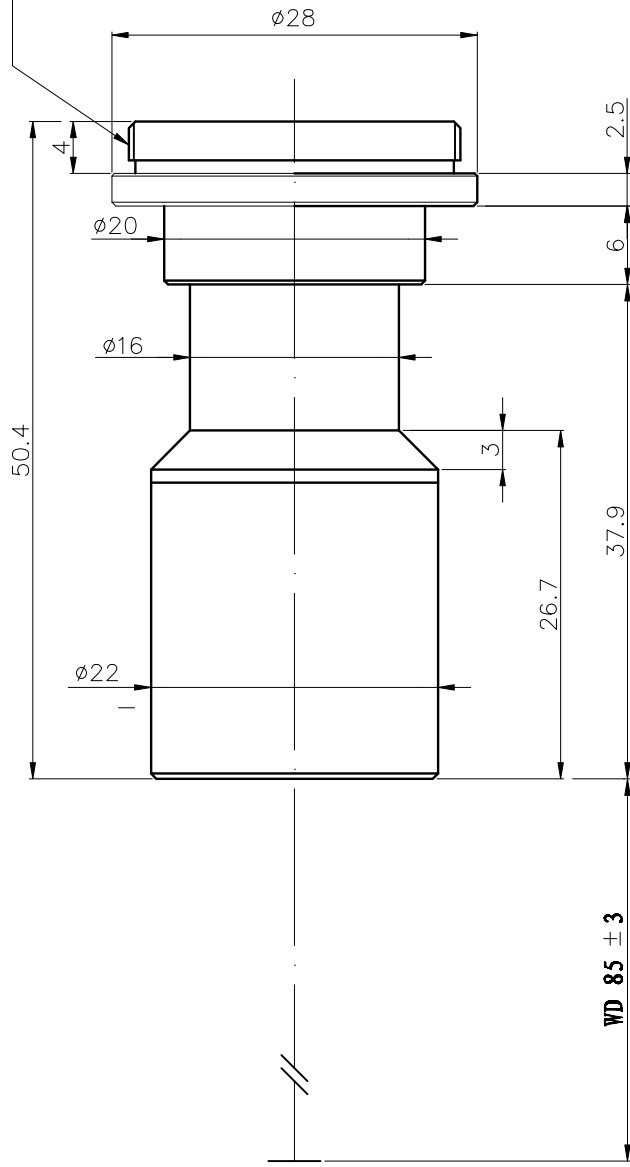
Working Distance  
85mm


Resolution  
8.39μm

C-Mount

Code		PMS-1ST85
Magnification		1.0X
Field of View	1/4"	3.2mm×2.4mm
	1/3"	4.8mm×3.6mm
	1/2.5"	5.7mm×4.3mm
	1/2.3"	6.2mm×4.6mm
	1/2"	6.4mm×4.8mm
	1/1.8"	7.1mm×5.4mm
	2/3"	8.8mm×6.6mm
Working Distance		85mm
Resolution		8.39μm
F.No.		12.4
TV Distortion		0.002%
Depth of Field		1.00mm
N.A.		0.04
Max.Sensor Size		2/3"
Mount		C-Mount
Illumination		--
Working Temperature		-10°C ~ +50°C

**C-Mount**



Unit:mm	Scale	1:1
	Name	PMS-1ST85
0.0	Date	2012.7.20
1.0	<b>POMEAS</b>	
25.0		