

## Pomeas High Resolution Bi-telecentric Lens Series

### PMS-05HT-110

- 1.Support 3MP camera
- 2.Same magnification during the FOV,same size of objective image.
- 3.Coaxial illumination is optional;Uniform illumination, no image vignetting.



Max.Sensor Size  
2/3"

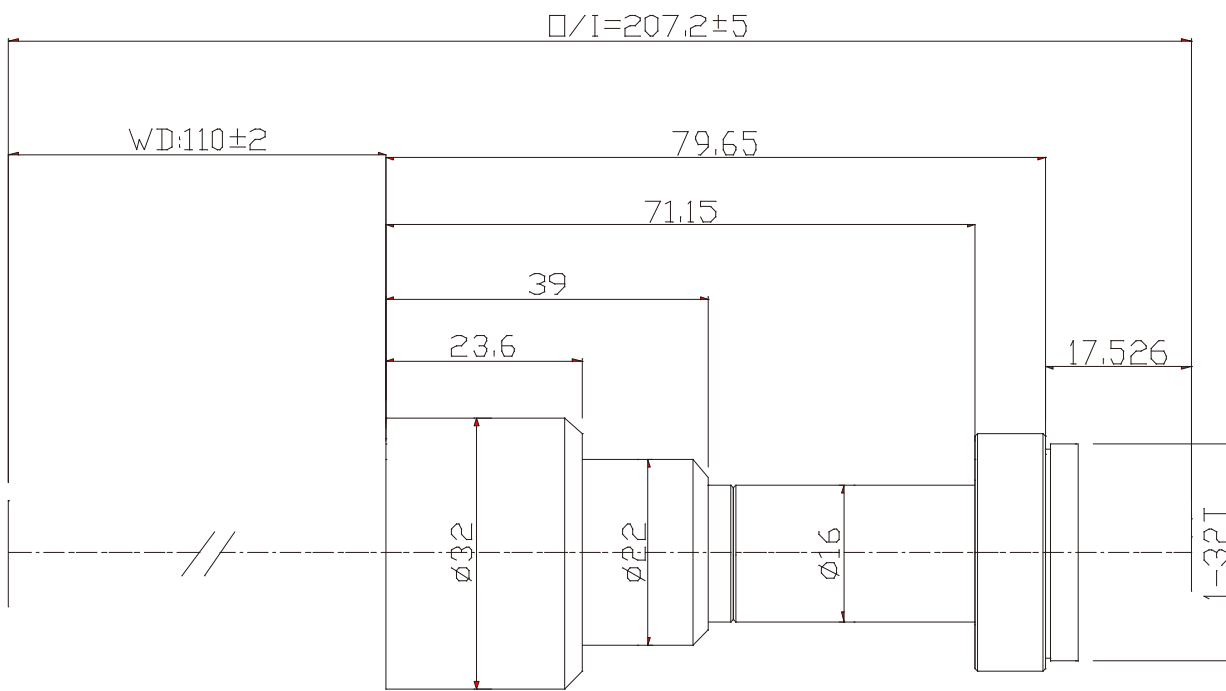
Magnification  
0.5X

Working Distance  
110mm

Resolution  
12.43μm

C-Mount

Code	PMS-05HT-110	
Magnification	0.5X	
Field of View (V x H)	1/4"	6.4mm×4.8mm
	1/3"	9.6mm×7.2mm
	1/2.5"	11.5mm×8.6mm
	1/2.3"	12.3mm×9.2mm
	1/2"	12.8mm×9.6mm
	1/1.8"	14.3mm×10.7mm
	2/3"	17.6mm×13.2mm
Working Distance	110mm	
Resolution	12.43μm	
F.No.	9.26	
TV Distortion	0.01%	
Depth of Field	2.96mm	
N.A.	0.027	
Max.Sensor Size	2/3"	
Mount	C-Mount	
Illumination	--	
Working Temperature	-10℃~+50℃	



Unit:mm	Scale	2:1
	Name	PMS-05HT110
0.0    inch    1.0 	Date	2013.10.21
0.0    mm    25.0	<b>POMEAS</b>	