

## Pomeas High Resolution Bi-telecentric Lens Series

### PMS-03HT-110

1. Support 3 MP camera
2. Bi-telecentric Lens
3. Super low distortion ; Object side telecentricity is less than  $0.01^\circ$  ;  
Image side telecentricity is less than  $0.2^\circ$  ;
4. Even illumination, no image vignetting
5. Suitable for machine vision application of high accurate measurement



Max. Sensor Size  
2/3"

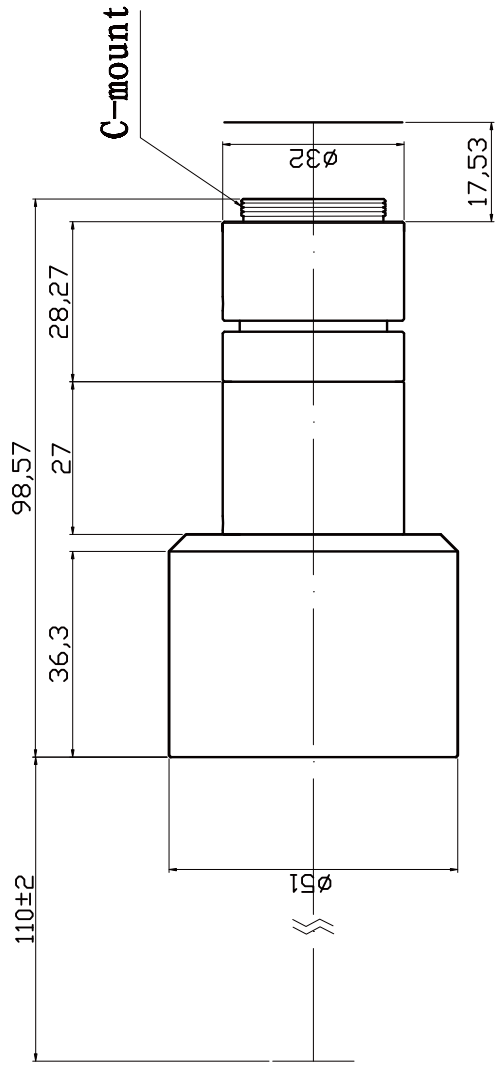
Magnification  
0.3X

Working Distance  
110mm

Resolution  
11.18 $\mu$ m

C-Mount

Code		PMS-03HT-110
Magnification		0.3X
Field of View (V x H)	1/4"	10.7mm×8.0mm
	1/3"	16.0mm×12.0mm
	1/2.5"	19.2mm×14.4mm
	1/2.3"	20.5mm×15.4mm
	1/2"	21.3mm×16.0mm
	1/1.8"	23.8mm×17.9mm
	2/3"	29.3mm×22.0mm
Working Distance		110mm
Resolution		11.18 $\mu$ m
F.No.		4.99
TV Distortion		0.01%
Depth of Field		4.44mm
N.A.		0.03
Central MTF@70lp/mm		>68%
Object Side Telecentricity		<0.01°
Image Side Telecentricity		<0.2°
Max. Sensor Size		2/3"
Mount		C-Mount
Illumination		--
Working Temperature		-10°C ~ +50°C



Unit:mm	Scale	1:1
	Name	PMS-03HT-110
0.0 inch 1.0	Date	2014.2.20
0.0 mm 25.0	<b>POMEAS</b>	