

Pomeas High Resolution Bi-telecentric Lens Series

PMS-023HT-90

- 1.Support 3MP camera
- 2.Same magnification during the FOV,same size of objective image.
- 3.Coaxial illumination is optional;Uniform illumination, no image vignetting.



Max.Sensor Size
2/3"

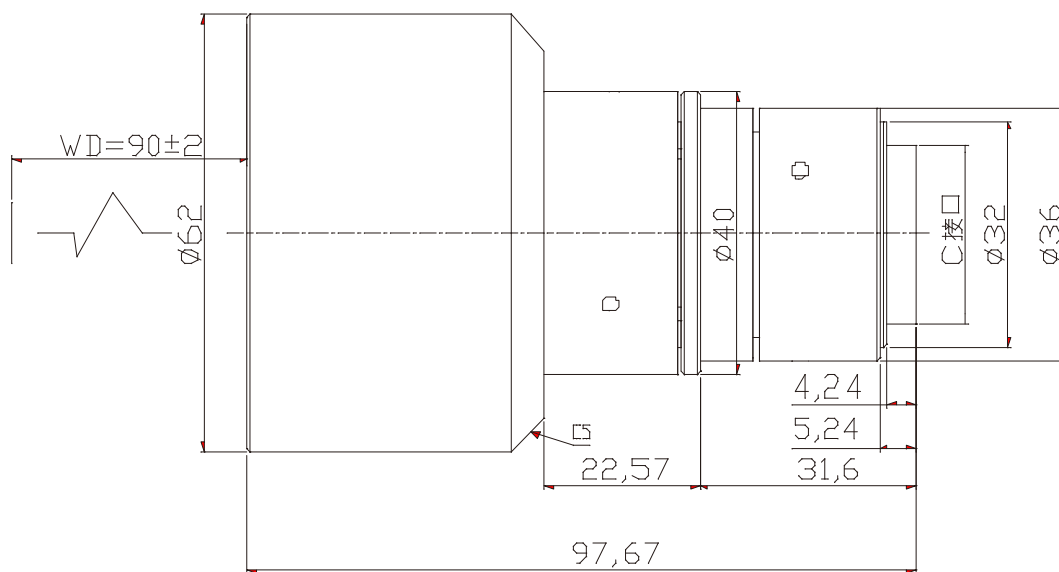
Magnification
0.23X

Working Distance
90mm

Resolution
13.98 μ m

C-Mount

Code		PMS-023HT-90
Magnification		0.23X
Field of View (V x H)	1/4"	13.9mm×10.4mm
	1/3"	20.9mm×15.7mm
	1/2.5"	25.0mm×18.7mm
	1/2.3"	26.8mm×20.1mm
	1/2"	27.8mm×20.9mm
	1/1.8"	31.1mm×23.3mm
	2/3"	38.3mm×28.7mm
Working Distance		90mm
Resolution		13.98 μ m
F.No.		4.79
TV Distortion		0.02%
Depth of Field		7.25mm
N.A.		0.024
Max.Sensor Size		2/3"
Mount		C-Mount
Illumination		---
Working Temperature		-10°C ~ +50°C



Unit:mm	Scale	2:1
	Name	PMS-023HT-90
0.0 inch 1.0 	Date	2013.10.21
0.0 mm 25.0 	POMEAS	