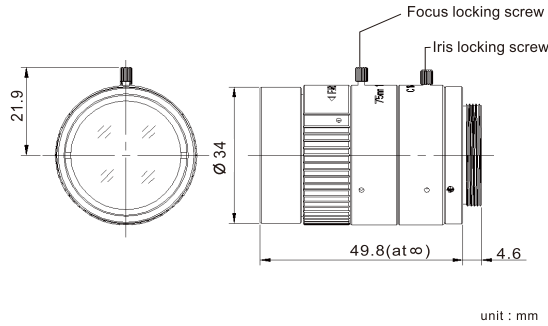




Pomeas Mega Pixels FA/Machine Vision Lens PMS-75MC

2/3"	1.5 Mega	MANUAL	C-mount	METAL
Max. Sensor Size	1.5 Mega Pixels	Manual Iris	C-mount	Metal Material



- 1.Support 1.5 MP 2/3" camera
2. Focus and iris locking screw to ensure stable focusing
3. Low distortion sharp image
4. Compact structure, excellent optical performance

Code	PMS-75MC	
Resolution	1.5 MP;125lp/mm (center) 100lp/mm (corner)	
Focal Length	75mm	
Iris Range	F2.8-C	
Max. Sensor Size	2/3" (8.8mm X 6.6mm ϕ 11mm)	
Field of View (H x V)	2/3"	6.7°×5.0°
	1/2"	4.9°×3.7°
Focus Range	1.10m - ∞	
Object Dimensions(at the nearest focusing distance)	11.26cm(H)×8.45cm(V) 2/3"	
Control	Focus	Manual
	Iris	Manual
Distortion	2/3"	0.34%@y=5.5mm
	1/2"	0.19%@y=4.0mm
Optical Back Focal Length(in air)	14.35mm	
Mount	C-Mount	
Filter Thread	M30.5×0.5mm	
Working Temperature	-10°C ~ +50°C	

Working Distance And Magnification After Using A Close-up Attachment

W.D.	Optical Magnification	Close-up Attachment
1100mm	0.078X	--
1000mm	0.087X	1.5mm
900mm	0.099X	2.0mm
800mm	0.114X	3.0mm
700mm	0.134X	4.5mm
600mm	0.164X	7.0mm
500mm	0.209X	10.0mm
400mm	0.291X	16.0mm
300mm	0.475X	30.0mm