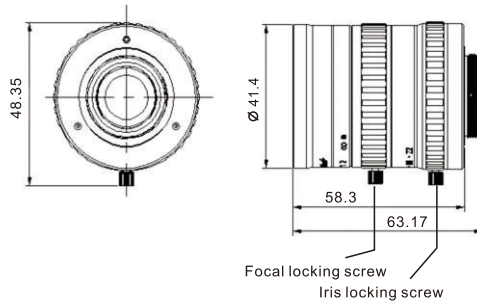




Pomeas 5 Mega Pixels FA/Machine Vison Lens PMS-50MC5M

2/3"	5 Mega	MANUAL	C-mount	METAL
Max. Sensor Size	5 Mega Pixels	Manual Iris	C-mount	Metal Material



Unit : mm

- 1. Support 5 MP 2/3" camera
- 2. Focus and iris locking screw to ensure stable focusing
- 3. Low imaging distortion
- 4. Compact structure, excellent optical performance

Code	PMS-50MC5M	
Resolution	5 MP; 160lp/mm (center) 125lp/mm (corner)	
Focal Length	50mm	
Iris Range	F1.8-F22	
Max. Sensor Size	2/3" (8.8mm X 6.6mm ϕ 11mm)	
Field of View (Diagonal x Horizontal x Verticle)	2/3"	12.5° x 10.1° x 7.6°
	1/2"	9.1° x 7.4° x 5.5°
Focusing Range	0.4m- ∞	
Object Dimensions	83.8mm X 67.0mm X 50.2mm	
Control	Focus	Manual
	Iris	Manual
Distortion	2/3"	0.03% @ y=5.5mm
	1/2"	0.02% @ y=4.0mm
Back Focal Length(in air)	13.63mm	
Mount	C-mount	
Filter Thread	M37.5x0.5mm	
Working Temperature	-10°C ~ +50°C	
Weight	173.0g	