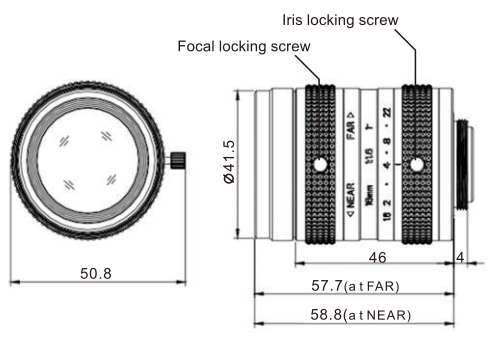




Pomeas 5 Mega Pixels FA/Machine Vision Lens PMS-16LC5M

1"	5 Mega	MANUAL	C-mount	METAL
Max. Sensor Size	5 Mega Pixels	Manual Iris	C-mount	Metal Material



Unit : mm

- 1. Support 5 MP 1" camera
- 2. Focus and iris locking screw to ensure stable focusing
- 3. Low imaging distortion
- 4. Compact structure, excellent optical performance

Code	PMS-16LC5M	
Resolution	5 MP; 160lp/mm (center) 100lp/mm (corner)	
Focal Length	16mm	
Iris Range	F1.6-F22	
Max. Sensor Size	1" (12.8mm X 9.6mm \varnothing 16mm)	
Field of View (Diagonal X Horizontal X Verticle)	1"	54.3°× 44.2°×33.5°
	2/3"	38.3°× 30.8°×23.2°
Control	Focus	Manual
	Iris	Manual
Distortion	1"	-3.73%@y=8.0mm
	2/3"	-1.98%@y=5.5mm
Effective Image Dimension	16mm	
Back Focal Length(in air)	12.17mm	
Mount	C-mount	
Filter Thread	M37.5×0.5mm	
Working Temperature	-10°C ~ +50°C	