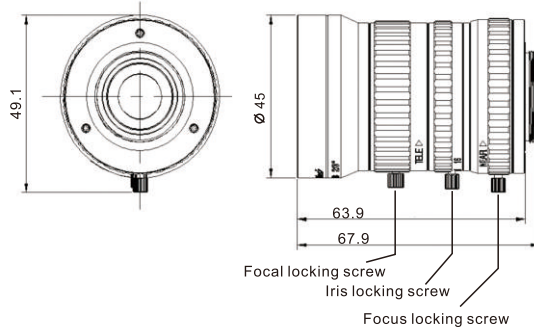




Pomeas 5 Mega Pixels FA/Machine Vision Lens **PMS-1236MC5M**

2/3"	5 Mega	MANUAL	C-mount	METAL
Max. Sensor Size	5 Mega Pixels	Manual Iris	C-mount	Metal Material



- 1.Support 5 MP 2/3" camera
2. Focus and iris locking screw to ensure stable focusing
3. Low imaging distortion
4. Compact structure,excellent optical performance

Code		PMS-1236MC5M			
Resolution		5 MP;160lp/mm (center) 125lp/mm (corner)			
Focal Length		12-36mm			
Iris Range		F2.8-F16			
Max. Sensor Size		2/3" (8.8mm X 6.6mm ϕ 11mm)			
Field of View (Diagonal x Horizontal x Verticle)	2/3"	50.8°x41.2°x31.2°	(wide)	17.2°x13.8°x10.4°	(tele)
	1/2"	37.7°x 30.3°x 22.8°	(wide)	12.6°x10.1°x 7.6°	(tele)
Focusing Range		0.15m- ∞	(wide)	0.45m- ∞	(tele)
Object Dimensions		163.4mm X 130.7mm X 98.0mm	(wide)	152.0mm X 121.6mm X 107.4mm	(tele)
Control	Focus	Manual			
	Iris	Manual			
Distortion	2/3"	-3.4%@y=5.5mm	(wide)	1.4%@y=5.5mm	(tele)
	1/2"	-2.2%@y=4.0mm	(wide)	0.9%@y=4.0mm	(tele)
Back Focal Length(in air)		18.93mm	(wide)	18.87mm	(tele)
Mount		C-mount			
Filter Thread		M40.5x0.5mm			
Working Temperature		-10°C ~ +50°C			
Weight		188.0g			