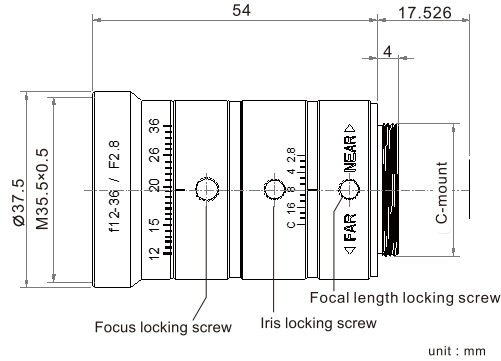




Pomeas Mega Pixels FA/Machine Vision Lens PMS-1236MC

2/3"	1.5 Mega	MANUAL	C-mount	METAL
Max. Sensor Size	1.5 Mega Pixels	Manual Iris	C-mount	Metal Material



- 1.Support 1.5 MP 2/3" camera
2. Focus and iris locking screw to ensure stable focusing
3. Low distortion sharp image
4. Compact structure, excellent optical performance

Code	PMS-1236MC		
Resolution	1.5 MP;125lp/mm (center) 100lp/mm (corner)		
Focal Length	12-36mm		
Iris Range	F2.8-C		
Max. Sensor Size	2/3" (8.8mm X 6.6mm Ø11mm)		
Field of View (H x V)	2/3"	41.4°×31.2° (wide)	13.8°×10.4° (tele)
	1/2"	30.1°×22.8° (wide)	10.1°×7.6° (tele)
Focus Range	0.15m - ∞ (wide)		0.5m - ∞ (tele)
Object Dimensions(at the nearest focusing distance)	6.6cm(H)×4.8cm(V) 2/3" (wide)		6.7cm(H)×5.0cm(V) 2/3" (tele)
Control	Focus	Manual	
	Iris	Manual	
Distortion	2/3"	3.5%@y=5.5mm(wide)	2.3%@y=5.5mm(tele)
	1/2"	2.4%@y=3.0mm(wide)	1.3%@y=3.0mm(tele)
Optical Back Focal Length(in air)	12.6mm (wide)	15.2mm (tele)	
Mount	C-Mount		
Filter Thread	M35.5×0.5mm		
Working Temperature	-10°C ~ +50°C		

Working Distance And Magnification After Using A Close-up Attachment

W.D.	Optical Magnification	Close-up Attachment
1100mm	0.078X	--
1000mm	0.087X	1.5mm
900mm	0.099X	2.0mm
800mm	0.114X	3.0mm
700mm	0.134X	4.5mm
600mm	0.164X	7.0mm
500mm	0.209X	10.0mm
400mm	0.291X	16.0mm
300mm	0.475X	30.0mm