

6.5X Zoom Lens Series

PMS-Z65M(A)

1. Telecentric optical design. Magnification range: 0.7x-4.5x, magnification ratio is 6.5:1
2. Field of view: 2.44-15.71mm(based on 2/3"CCD)
3. Excellent performance, with high resolution, low distortion and super big N.A.
4. Compact design, easy assembly and installation.



Function and Feature



■ Motorized Zoom

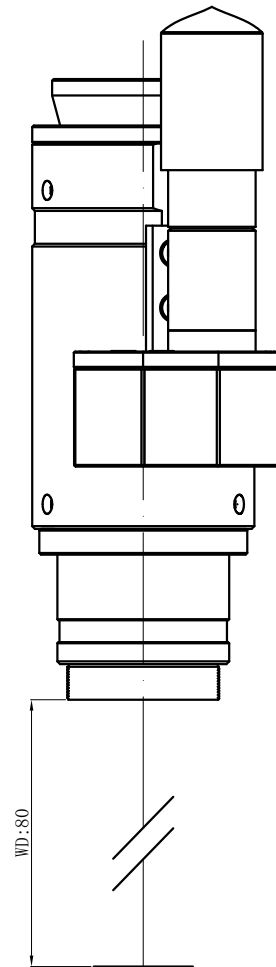
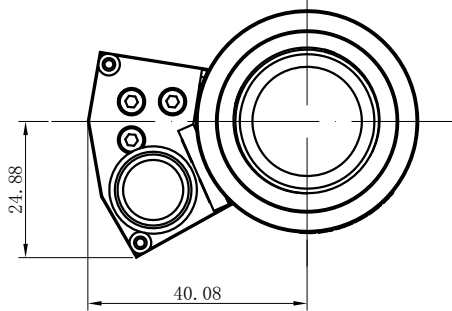
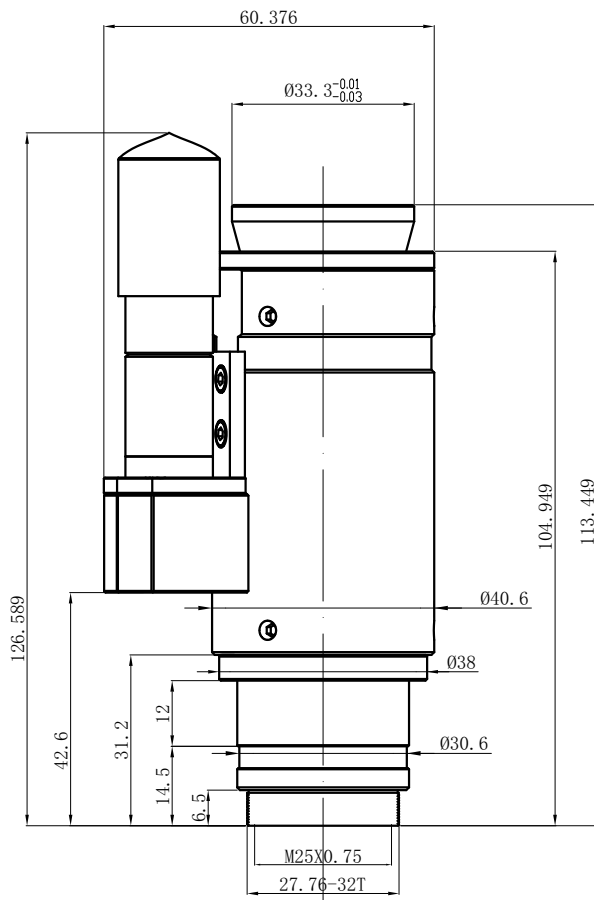
- High speed in zoom and focus and high accuracy in repetitive positioning
- Imported DC servo motor, closed-loop control
- Stable quality performance even in the strong vibration environment

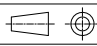
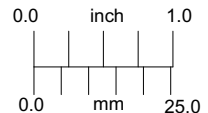


■ Motorized Controller

- The integrated motorized control systems are available for all the POMEAS zoom lenses
- Motorized controlling system can control single or dual channels via RS232 or USB
- Underlying sourcing code will be provided

Code		PMS-Z65M(A)								
Type		Motorized Zoom								
Optical Magnification Range		0.7X~4.5X								
Working Distance		80 ± 2mm								
Optical Magnification		0.7X	1.0X	1.5X	2.0X	2.5X	3.0X	3.5X	4.0X	4.5X
Telecentricity (degree)		0.68	0.185	0.7	1.075	0.8	0.75	0.7	0.81	0.87
Depth of View (mm)		1.9	0.952	0.44	0.29	0.23	0.16	0.13	0.12	0.1
N.A.		0.03	0.04	0.063	0.07	0.085	0.085	0.095	0.095	0.105
F.No.		11.7	12.7	11.95	14.4	15.3	17.6	18.5	20.8	21.3
Resolution (um)		11.18	7.99	5.59	4.79	4.79	3.95	3.95	3.95	3.95
TV Distortion		0.06%	0.02%	0.01%	0.03%	0.003%	0.002%	0.03%	0.03%	0.03%
Field of View (mm) (DxHxV)	2/3"	15.71×12.57×9.43	11.00×8.80×6.60	7.33×5.87×4.40	5.50×4.40×3.30	4.40×3.52×2.64	3.67×2.93×2.20	3.14×2.51×1.89	2.75×2.20×1.65	2.44×1.96×1.47
	1/2"	11.43×9.14×6.86	8.00×6.40×4.80	5.33×4.27×3.20	4.00×3.20×2.40	3.20×2.56×1.92	2.67×2.13×1.60	2.29×1.83×1.37	2.00×1.60×1.20	1.78×1.42×1.07
	1/3"	8.57×6.86×5.14	6.00×4.80×3.60	4.00×3.20×2.40	3.00×2.40×1.80	2.40×1.92×1.44	2.00×1.60×1.20	1.71×1.37×1.03	1.50×1.20×0.90	1.33×1.07×0.80
Max. Sensor Size		2/3"								
Mount		C-Mount								
Zoom Control		Motorized zoom								
Focus Control		--								



Unit: mm	Scale	1:1
	Name	PMS-Z65M(A)
	Date	2015.4.10
POMEAS		