



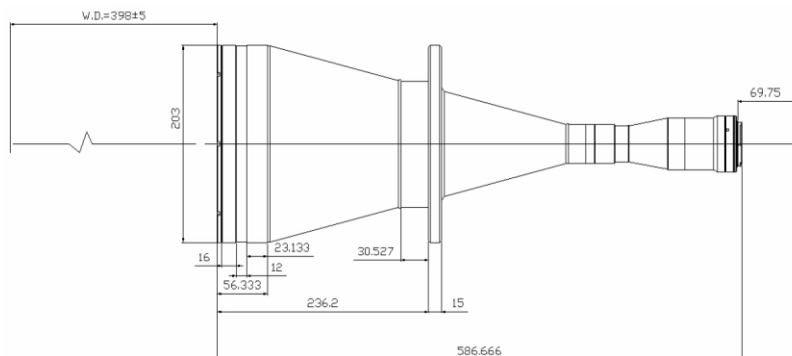
F-MOUNT BI-TELECENTRIC LINE LENS

1. Specially design for 35mm sensor with 10MP resolution, at the same time it can perfectly with 4K(7 μ m) and 8K(5 μ m) line camera.
2. Bi-telecentric design, for both image side and objective side, which ensure the sensor receive the true dimensions from the object.
3. It can be widely adopted in precision measurement of all kinds of big parts, for example: Glass board, PCB, Electronic component and so on.
4. Except this standard F-mount lens, also OEM for other customized mount lens.

new



PMS-DTC024X-8K-398



Code	PMS-DTC024X-8K-398	
Magnification	0.24X	
Object Dimension HxV(mm)	Line array -2K(2k X 10 μ m)	85.4
	Line array -4K(4k X 7 μ m)	119.6
	Line array -8K(8k X 5 μ m)	170.8
	35mm	150.0x100.0
Working Distance(mm)	398	
Resolution(μ m)	30.76	
F.NO.	11	
TV Distortion	0.01%	
DOF/mm*1	15.28	
N.A.	0.011	
Central MTF@70lp/mm	>50%	
Object Side Telecentricity	<0.02°	
Max.Sensor Size	35mm Film	
Length(mm)	586.67	
Diameter/Width(mm)	Ø303	
Mount	F-Mount	
Illumination	--	
Working Temperature	-10°C ~ +50°C	

*1: Theoretical calculating value(based on diameter of defocused spots is 0.04mm),in the reality application, take its 1/2 will gain the best effect.